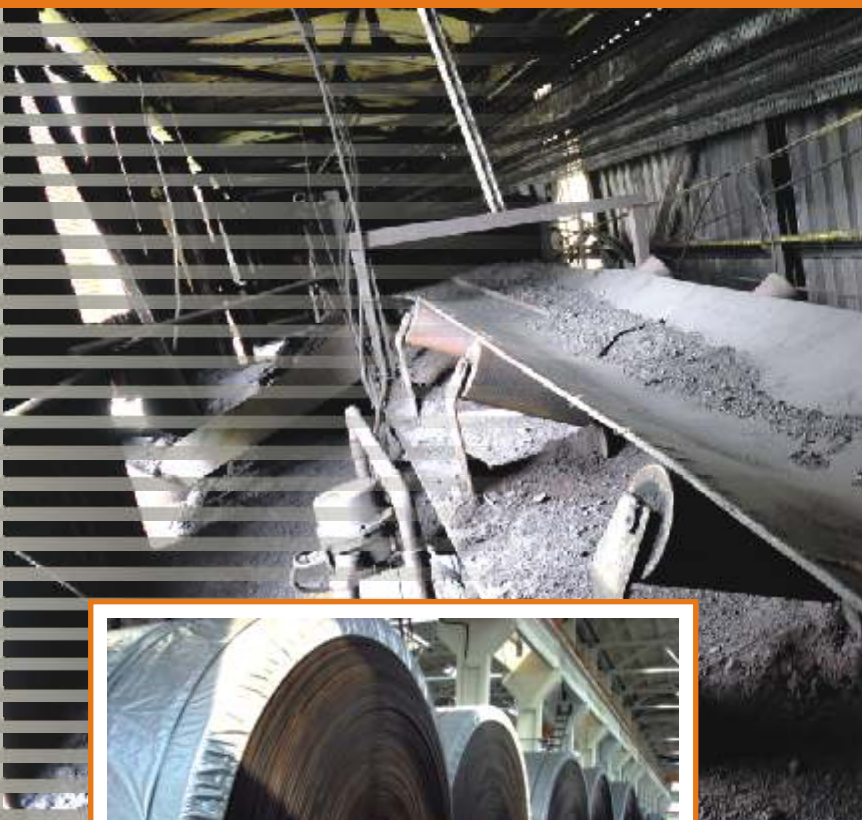




DHANLAXMI

RUBBER ENTERPRISE

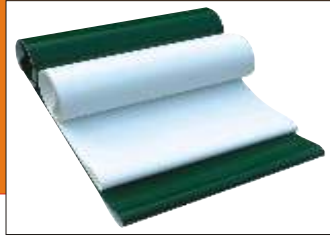
OUR AIMS ARE QUALITY SATISFACTION



IDLERS & CONVEYOR ACCESSORIES TURNKEY PROJECTS

- Bulk Material Handling
- Foundry Sand Screening & Handling Plants
- Coal Handling Plant
- Fertilizer Handling & Bagging Plants

DHANLAXMI



COMPANY PROFILE

Dhanlaxmi Rubber Enterprise, IS one of the leading Trader for Conveyor Belts. Company was started in 1980 with a Young and Dynamic Technical Team. The OBJECTIVE of the Company was to market Conveyor Belting according to the specific requirements of particular Industries. Company is targeting in both Quality and Reliability built into them backed by unmatched service support, respecting the demand & understanding the difficulties of Importing Special Conveyor Belts Manufacturer for replacement purpose.

Our Strength

The company also took up the activity of marketing, welding & embossing the belts. Company established a Compact & Modernized Plant at Ahmedabad (Gujarat) in the year 1980. In this Plant we have developed almost all types of Special Belts to suit the needs of practically every type of Industry. We are successfully providing our service to **KRIBHCO Fertilizer, SURAT** since last 7 Year. From the very inception, our job was never Limited to the trading activity & we enlarged our responsibility for developing Special Belts for almost all the Industries & we co-ordinates our efforts for Efficient & Economical packages. We are always ready to learn from our customers about their needs – we never hesitate in accepting and learning from our mistakes or acknowledging the need for further improvements and this is the only factor by which our Company grew from strength to strength and rose to this leading position today. We have established Offices in Gujarat's leading Vatva G.I.D.C. Estate at Ahmedabad. By our personal experience in this field we have launched our own brand as DRECON belts.

RANGE OF PRODUCTS

- Belt Conveyor
- Radler Conveyor
- Portable Conveyor
- Slat Conveyor
- Drum Pulleys
- Idler and Roller
- Impact Ring
- Bucket and Bolts
- Conveyor Belt
- Rubber Lagging
- Drum Pulley
- Rubber Parts
- Rubber Sheet
- Any Type of Technical services for conveyor belt & material Handling System.

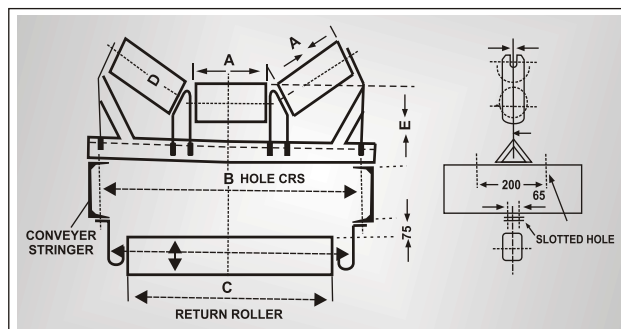
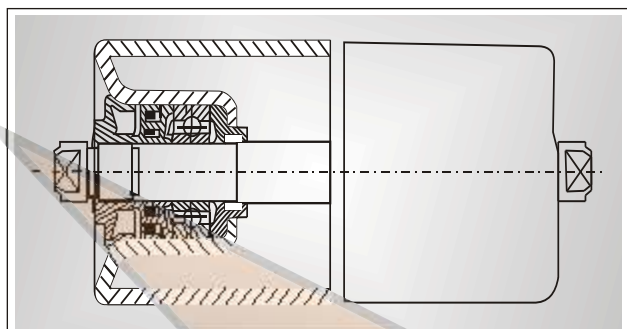
CONSTRUCTION FEATURES OF C-FLEX CONVEYOR BELTS

- Width upto : 1800 mm
 Fabric plies: 2 Plies to 8 Plies
 FABRIC:
 Polyester Nylon(EP): EP 100, EP125, EP 150, EP 200
 Ep300 EP 350 EP350 EP400 EP450
- Nylon Nylon (NN): Nn100 NN125 NN150 NN200 NN250
 Nn300 NN 350 NN400 Nn450
- Belt Desisgnation: Available in three types
 * GD-General Duty
 * HD- Heavy Duty
 * EHD- Extra Heavy Duty

COVER GRADES AND DESCRIPTION

Cover Type	Tensile strength kg/cm2 (min.)	Elongation at Break(%Min)	General Application
M-24	240	450	Suitable for rugged servies for conveying crushed Metallic Ores, Lime stones Granite Etc. Also suitable for LARGE SIZE ORES.
N-17	170	400	Suitable for Materials like ASBESTOSE, ASH, BAUXITE, CEMENT Lime etc.
HR (Heat-Resistant)	125	350	Suitable for transporting hot material (Upto 120°C for coarse material and 100°C for fine material)
SHR(Special Hea reasantant)	125	350	Suitable for transporting hot material (Upto 150°Cfor coarse and 125°C for fine material)
OR (Oil Resistant)	120	250	Cover grade of specially blended synthetic Ploymers is designed to give very high resistance to mineral vegetable and ANIMAL oil & fats
FR (Fire Resistant)	170	350	Recommended for use in surface application in coal and such type of mines where the ambirnt Temp. may not be high but there is distinct hazard of belt being enveloped in fire. Rubber covers are fire resistant and anti static.

CONVEYOR BELT MANUFACTURER



CARRYING & RETURN IDLER FOR BELT CONVEYOR

Belt width (mm)	A Carrying Roller Length	B Hole Crs.	C Return Roller Length	D Roller Dia	E
450	190	740	550	88.9	200
				114.3	225
				139.7	275
500	200	790	600	88.9	200
				114.3	225
				139.7	275
600	235	890	700	88.9	200
				114.3	225
				139.7	275
650	250	940	750	88.9	200
				114.3	225
				139.7	275
750	290	1040	850	88.9	200
				114.3	225
				139.7	275
800	315	1090	950	114.3	225
				139.7	225
				152.4	275
900	350	1190	1050	114.3	225
				139.7	225
				152.4	275
				159	275

Belt width (mm)	A Carrying Roller Length	B Hole Crs.	C Return Roller Length	D Roller Dia	E
1000	380	1290	1150	114.3	225
				139.7	225
				152.4	275
				159	275
1050	400	1340	1250	114.3	225
				139.7	225
				152.4	275
				159	275
1200	465	1490	1400	114.3	225
				139.7	225
				152.4	275
				159	275
1400	530	1690	1600	114.3	225
				139.7	225
				152.4	275
				159	275
1600	600	1900	1800	114.3	225
				139.7	225
				152.4	275
				159	275
1800	665	2100	2000	114.3	225
				139.7	225
				152.4	275
				159	275
2000	730	2300	2200	114.3	225
				139.7	225
				152.4	275
				159	275

Conveyor Belts & Parts



- Two Roll type Troughing idlers & brackets are used to convey bulk material & the same are available with 20° and 30° Idlers.
- For Conveying large quantity of bulk material Three roll type barcket with 20°, 30° & 45° Inclined Idlers are available.
- Troughing angle impact Idlers generally used for absorbing impact at loading point & protect belt, Idlers are available in Two roll type Three roll type bracket & having troughing angle 20°, 30° & 45°
- Due to eccentric loading, soiling slippage of the material to the drum pulleys and Idler roller may cause the belt run crooked to prevent the belt from running to the rollers self aligning Idler of variouTwo Roll type Troughing idlers & brackets are used to convey bulk material & the same are available with 20° and 30° Idlers.
- For Conveying large quantity of bulk material Three roll type barcket with 20°, 30° & 45° Inclined Idlers are available.
- Troughing angle impact Idlers generally used for absorbing impact at loading point & protect belt, Idlers are available in Two roll type & Three roll type bracket & having troughing angle 20°, 30° & 45°
- For horizontal flat beat conveyor positive action type belt training Idlers are available in any size.
- Rubber ring return Idlers are generally used when handling material is wet & slicky or corrosion resistance is required.
- Conveyor Pulley Customised with lagging.
- For horizontal flat beat conveyor positive action type belt training Idlers are available in any size.
- Rubber ring return Idlers are generally used when handling material is wet & slicky or corrosion resistance is required.



DHANLAXMI
RUBBER ENTERPRISE

D & B No.: 167, Pushpak Estate, Nika Tube Compound,
91-6086223 Vatva, G.I.D.C. Ind.Estate, Phase : I, Ahmedabad-382 445.
Phone : 079 - 40083497 Mobile: +91-9825106497
E-mail : dhanlaxmirubber@gmail.com

DHANLAXMI
CONVEYOR EQUIPMENT

2/A Kaveri Estate, Phase : IV,
Vatva, G.I.D.C. Ind.Estate, Ahmedabad-382 445.
Mobile: +91-9825060209
E-mail : dhanlaxmirubber@gmail.com